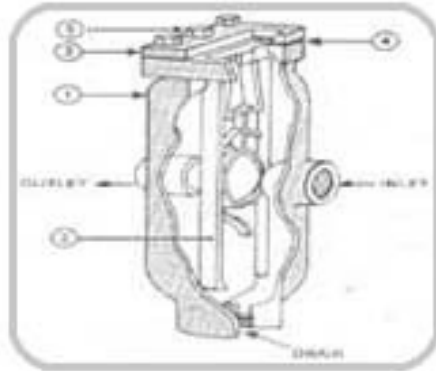




ANESH ENVIRO SYSTEMS PVT LTD



MOISTURE SEPARATOR

We offer our clients a wide gamut of moisture separators that are used for various industrial purposes. These moisture separators are designed to act as moisture separators cum filters for gas and compressed air. The structure of our range of air moisture separator consists of a completely sealed high performing cyclonic type mechanical moisture separator cum filter. High on durability and efficiency, these moisture separators can sustain even the harshest surroundings.

Corporate Office : A-2, Suryaneel plot No. 25, Cosmopolitan Society, Somalwada,
Wardha Road, Nagpur (M.S) India – 440022.

Phone : (+91) 712- 6470105, (+91)712-2282042, (+91) 7507552818,

eMail : contact@ganeshenviro.com, ganeshenvirosystems@gmail.com.